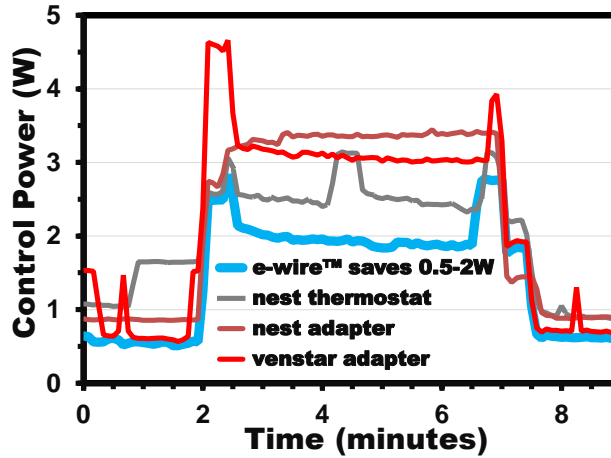


- **e-wire™** lasts 10 times longer and is the most energy efficient common-wire adapter in the world for smart thermostats
- **e-wire™** saves 0.5 to 2W compared to other adapters or 4 to 17 kWh/yr.



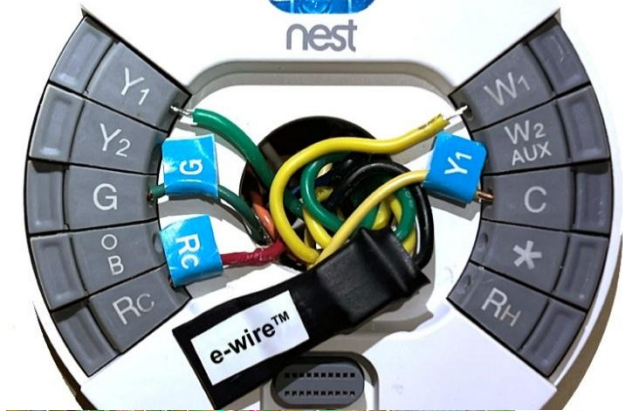
- **e-wire™** is easier to install and made in USA
- **e-wire™** has a 5-year warranty and lasts for life of HVAC system or longer
- **US EIA** indicates 60 million U.S. homes do not have a common wire at thermostat required to provide reliable power to smart thermostats

**greenfan®**  
**e-wire™**  
 common-wire  
 adaptor provides  
 energy efficient and  
 reliable power for  
 smart thermostats

**GREENFAN® INC.**

**US Patent 10859284**

support@greenfan.co  
[www.greenfan.co/e-wire](http://www.greenfan.co/e-wire)  
 © 2022 GreenFan® Inc.



# greenfan® e-wire™ works with all smart thermostats to save energy

## Step A: Install Small e-wire™ Thermostat Element (TE)

1. Turn off power to HVAC equipment and thermostat (turn off circuit breaker).
2. Label and photograph old base plate showing wire colors connected to each terminal.
3. **If replacing thermostat:** remove wires and base plate and install new base plate.
4. **For Heat with AC:** See drawings
5. **For Heat Pump:** See drawings
6. **For heat only (no AC or heat pump):** See drawings.
7. After wires are connected, place e-wire TE in wall, screw base plate to wall, and verify wires stay connected.

## Step B: Install e-wire HVAC Element (HE) with 5 wires at HVAC system

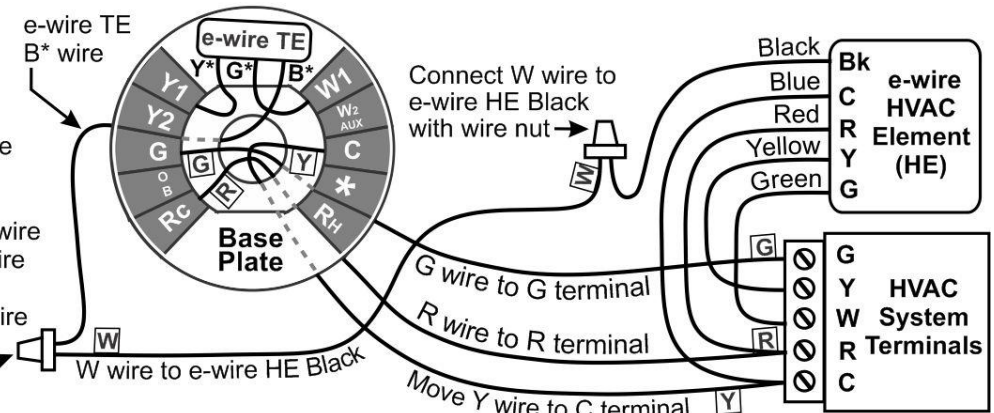
1. Label and photograph existing terminal block showing wire colors connected to each terminal.
2. Loosen R terminal screw with red wire, insert e-wire™ HE Red wire, and tighten connection.
3. **For Heat with AC:** Disconnect wire from HVAC W terminal and connect to e-wire HE Black wire using wire nut. Disconnect wire from HVAC Y terminal and connect this wire and e-wire HE Blue wire to HVAC C terminal. Connect e-wire HE Yellow wire to HVAC Y terminal. Connect e-wire HE Green wire to HVAC W terminal.
4. **For Heat Pump:** Disconnect wire from HVAC G terminal and connect to e-wire HE Black using wire nut. Disconnect wire from HVAC Y terminal and connect this wire and e-wire HE Blue to HVAC C terminal. Connect e-wire HE Yellow wire to HVAC Y terminal. Connect e-wire HE Green wire to HVAC G terminal.
6. **For Heat only (no AC or heat pump):** Disconnect existing wire from HVAC W terminal and connect to e-wire HE Black using wire nut. Disconnect wire from HVAC G terminal and connect this wire and e-wire HE Blue to HVAC C terminal, connect e-wire HE Yellow to W terminal, connect e-wire HE Green to G terminal.

## Step C: Install Smart Thermostat Faceplate, Turn on HVAC System, and Test

1. Install Smart Thermostat face plate and turn on circuit breaker for HVAC equipment.
2. **For Nest:** verify "equipment" screen shows common C and all other wires. For heat only: C, W1, G, and Rh. For heat/AC: C, Y1, W1, G, and Rc. For heat pump: C, Y1, O/B, G, and Rc.
3. Follow Smart Thermostat setup instructions.
4. **For heat only:** place system in heat mode and raise setpoint to verify heat operation.
5. **For AC or heat pump:** place system in cooling and lower setpoint to verify AC operation

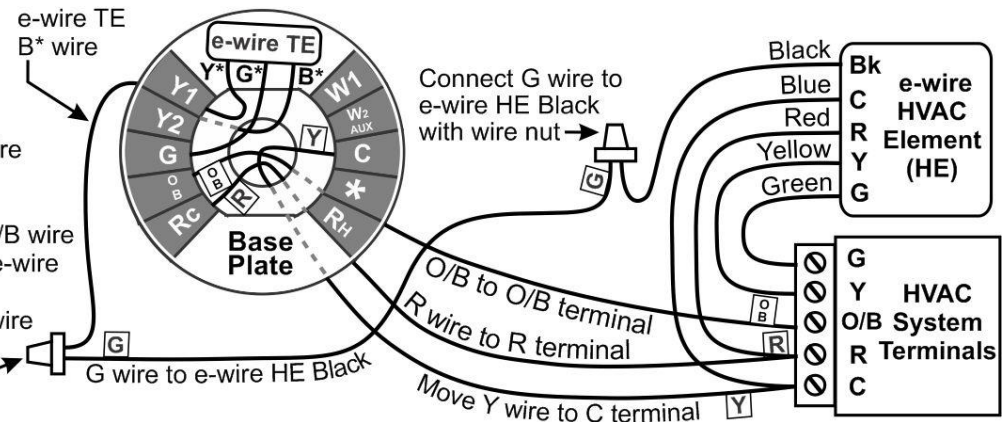
## Heat and AC Instuctions

Remove base plate from wall, connect Y wire to C terminal and connect e-wire TE Yellow (Y\*) wire to Y1 terminal, connect R wire to Rc terminal, connect G wire to G terminal, connect e-wire TE Green (G\*) wire to W1 terminal, and connect W wire to e-wire TE Black (B\*) with wire connector



## Heat Pump Instuctions

Remove base plate from wall, connect Y wire to C terminal and connect e-wire TE Yellow (Y\*) wire to Y1 terminal, connect R wire to Rc terminal, connect O/B wire to O/B terminal, connect e-wire TE Green (G\*) wire to G terminal, and connect G wire to e-wire TE Black (B\*) with wire connector



## Heat Only Instuctions

Remove base plate from wall, connect G wire in wall to base plate C terminal, connect e-wire TE Green (G\*) wire to G terminal, connect e-wire TE Yellow (Y\*) wire to W1 terminal, connect R wire to Rh terminal, and connect W wire in wall to e-wire TE Black (B\*) with wire connector

